



***The Handy Kenlin Group®***



**INNOVATE. DESIGN. PRODUCE. DELIVER.**

CRAFTING SUCCESS STORIES SINCE 1898

Maximize Your Product's Potential  
With a Single-Source Solution For All  
Innovation, Design, Manufacturing,  
Global Sourcing, and Seamless Delivery  
in Your Supply Chain.



At The Handy Kenlin Group, we don't just engineer and produce products; we craft success stories. Since 1898, we have partnered with organizations worldwide to provide end-to-end product expertise throughout the lifecycle of innovation, design, manufacturing, global sourcing, and delivery. As a people-first, values-based organization we lead with joy in what we do and where we do it, resulting in an exceptional service experience for our customers.

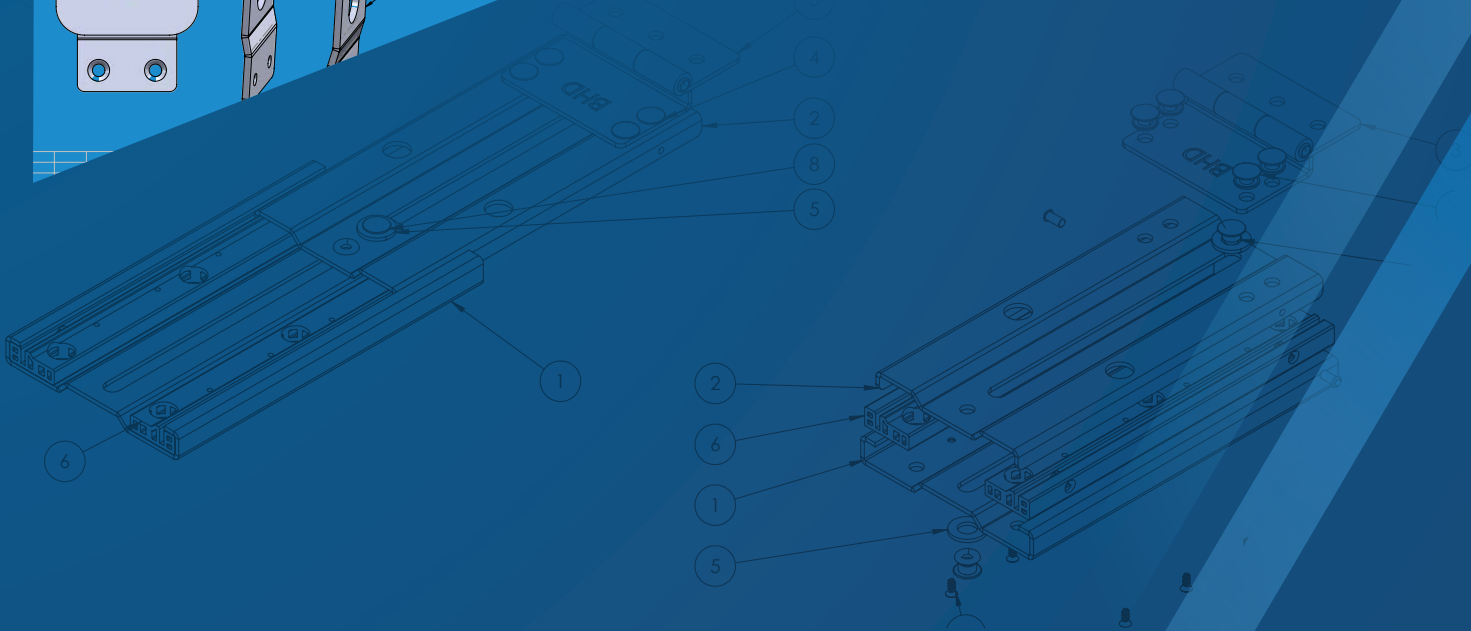
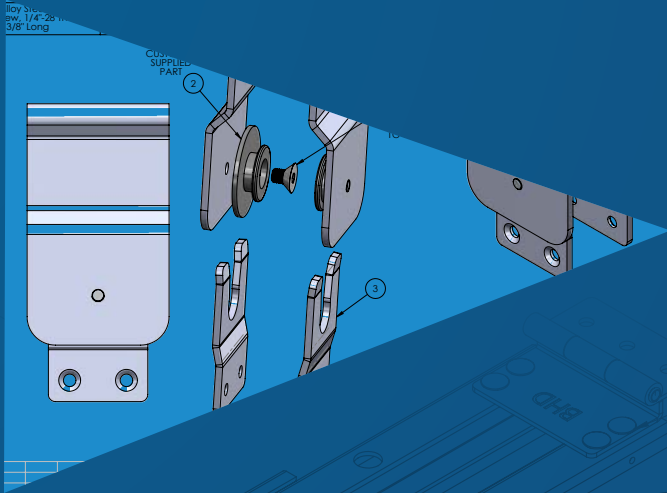
# END-TO-END EXPERTISE

## Innovate

Innovation can take many forms, such as an improved design, a better approach to engineering, a more efficient production method, or an approach to sourcing and delivery that reduces costs and increases speed-to-market.

## Design

Transform concepts into reality with our visionary design team, crafting solutions that captivate the market and resonate with your customers. Our collaborative approach will produce a surge of new ideas, improved designs and enhanced engineering that may extend beyond modifying existing products for cost-efficient manufacturing.



## Produce

We redefine possibilities with Advanced Product Quality Planning (APQP). We can manufacture for you, manage the manufacturing process, or help you source the best partner.

## Deliver

Our strategically located warehouses act as command centers, optimizing inventory management and minimizing lead times. We provide ease of scaling your operations without compromising on budget or efficiency.

# THE HANDY KENLIN GROUP DIFFERENCE

– YOUR COMPLETE SOLUTION. OUR GLOBAL FOOTPRINT.

- Product Innovation & Development
- Manufacturing & Production Oversight
- Global sourcing excellence
- In-country, dedicated team managing quality assurance



## United States

Carson, California  
Santa Fe Springs, California  
Paramount, California  
Pompano Beach, Florida  
Atlanta, Georgia  
Bensenville, Illinois  
Buffalo Grove, Illinois  
Chicago, Illinois  
Franklin Park, Illinois  
Hickory, North Carolina  
Thomasville, North Carolina  
Eagan, Minnesota  
Pontotoc, Mississippi  
Ripley, Mississippi  
Gouldsboro, Pennsylvania  
Landrum, South Carolina



## Europe

Enfield, England  
La Halberderie, France  
Schwelm, Germany

## Asia

Prey Nop Distict, Cambodia  
Shenzen, China  
Haining, China  
Hangzhou, China  
Hong Kong, China  
Kowloon, China  
Mongkok, China  
Shanghai, China  
Suzhou, Jiangsu China  
Zhejiang, China  
Perak, Malaysia  
Singapore  
Taipei, Taiwan  
Binh Duong, Vietnam  
Thu Dau Mot, Vietnam

From the doorsteps of our sourcing partners to your locations – our delivery capabilities know no bounds. We'll get your products to their destination promptly, ensuring customer satisfaction every step of the way.

## Manufacturing Processes:

- Steel Stamping
- Roll-Forming
- Plating
- Finishing
- Powder Coating
- Injection Molding
- Plastic Extrusion
- Screw Machining
- Packaging
- Woodworking
- Assembly
- Insert Molding
- Aluminum Extrusion
- Die Casting
- Vacuum Forming

# INDUSTRY EXPERTISE

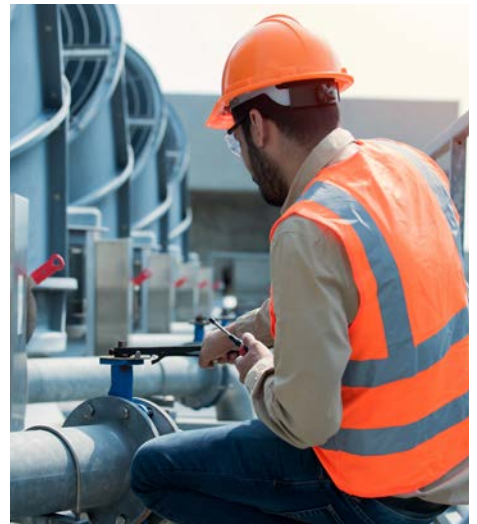
We assist many industries with components and custom solutions:



**AUTOMOTIVE**



**FURNITURE**



**HVAC**



**MARINE**



**TEXTILE**



**WATER TREATMENT**

Collaboration with research institutions, technology firms, and engineering experts can significantly contribute to innovation in these industries. Manufacturers seeking to stay competitive and address emerging challenges often benefit from fostering a culture of innovation and collaboration.

Let's talk!



“

We are in the business of crafting success with our complete and comprehensive end-to-end services including design, production, sourcing, warehousing, and delivery. What sets us apart is not just our services, but the unmatched dedication, passion, and experience we infuse into every step. When you choose The Handy Kenlin Group, you're not just choosing a service, you're choosing a partner committed to making your supply chain journey as successful as the end result.

**KEN SHONFELD**  
PRESIDENT & CEO  
THE HANDY KENLIN GROUP

”

ITEM	QTY
1	1
2	1
3	1
4	1
5	4
6	1
7	2
8	2
9	4
10	4
11	2
12	1
13	7

NOTES:  
1. ALL DIMENSIONS ARE IN INCHES UNLESS NOTED OTHERWISE.  
2. ALL DIMENSIONS ARE TO CENTER UNLESS NOTED OTHERWISE.  
3. THIS PART MUST BE CHECKED FOR PROPER FIT WITH THE X-4186-C DRIVE.



***The Handy Kenlin Group***®

*Innovative, Global, Dynamic*

**847-459-0900**

ReadytoWow@handykenlin.com

**handykenlin.com**

29 E. Hintz Road  
Wheeling, IL 60090